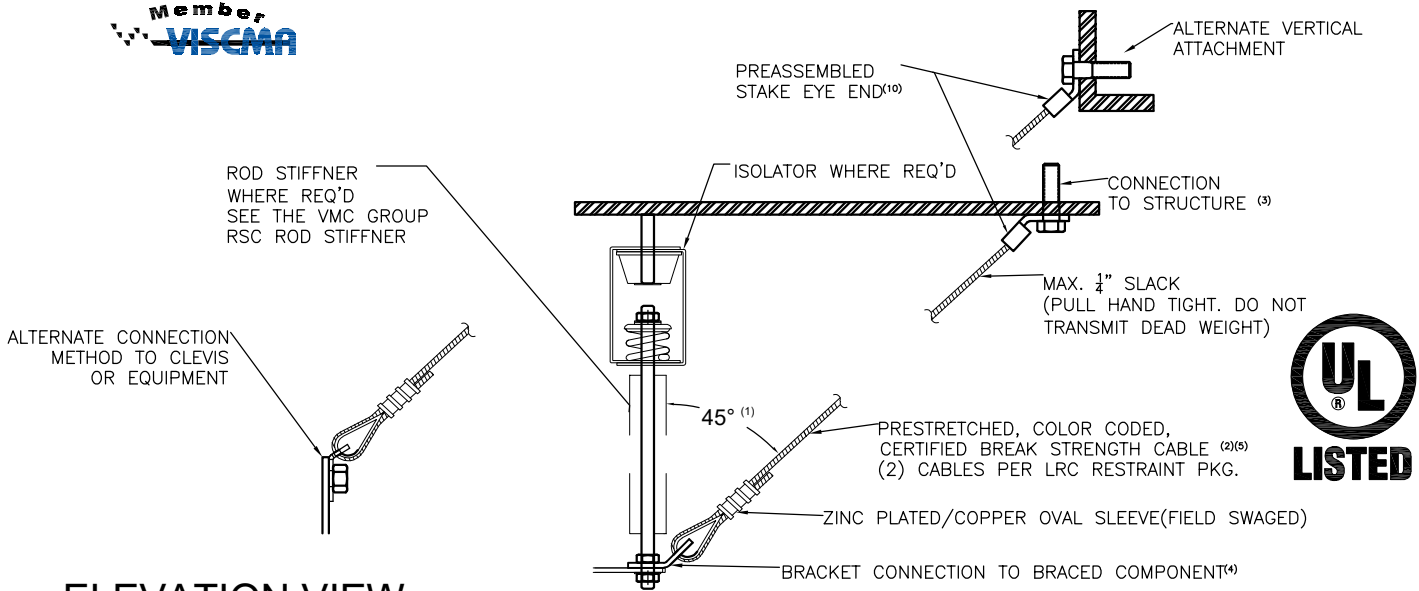


REV.	DESCRIPTION	DATE	BY



### ELEVATION VIEW

TABLE FOR 0.80 G ACCELERATION

RESTRAINT DESIGNATION	COLOR CODE	CABLE SIZE	STAKE EYE SIZE (IN.)	STRUCTURAL LEVEL <sup>(3)</sup>	MIN. SAF BRACKET & HANGER ROD (IN.) <sup>(4)(9)</sup>	MIN. SRB BKT. <sup>(4)(9)</sup>	MAX. EQUIPMENT WEIGHT (4) CABLES (LBS)	ALLOWABLE PIPE/CONDUIT SIZE (IN) AND MAX. SPACING <sup>(6)(7)(11)</sup>			ALLOWABLE DUCT WT. AND MAX. SPACING <sup>(6)(8)(11)</sup>		
								PIPE SIZE <sup>(7)</sup>	MAX. LBS/FT	SPACING (FT)	WIDTH +DEPTH <sup>(8)</sup>	MAX. LBS/FT	SPACING (FT)
2-G03-2B	GOLD	3/32	1/4	A	SAF-3/8	SRB-0	13	1	13	29	48	8	
			1/4	B	SAF-3/8	SRB-0							1 1/4
2-G03-3B	GOLD	3/32	3/8	C	SAF-3/8	SRB-0		1 1/2	40	48	20		
			3/8	D	SAF-1/2	SRB-0		2	40	48	27		
2-OR4-4B	ORANGE	1/8	1/2	E	SAF-1/2	SRB-1		2 1/2	40	56	30		
			1/2	F	SAF-1/2	SRB-1		3	40	62	30		
2-GR6-4B	GREEN	3/16	1/2	G	SAF-5/8	SRB-2		5	40	100	30		
			1/2	H	SAF-5/8	SRB-2		6	40	122	30		
2-BL8-00	BLACK	1/4	N/A <sup>(10)</sup>	I	SAF-3/4	SRB-3		6	40	122	30		
			N/A <sup>(10)</sup>	J	SAF-7/8	SRB-3		8	30	156	30		
			N/A <sup>(10)</sup>	K	SAF-7/8	SRB-3		8	36	180	30		

- (1) ANGLE MAY VARY FROM 35° TO 60° IN ANY SINGLE PLANE. IF THE ANGLE VARIES IN TWO PLANES, THE CUMULATIVE VARIANCE MUST BE -10° TO +15°. ALLOWABLE LOAD IS BASED ON WORST CASE 35° ANGLE. TO OBTAIN ALLOWABLE FOR 45° CABLE ANGLE, MULTIPLY BY 1.23. MULTIPLY BY 1.5 FOR 60° ANGLE. IF CABLE IS ORIENTED AS A TRANSVERSE ONLY RESTRAINT. PIPE OR DUCT WT/FT MAY BE INCREASED BY 1.4.
- (2) MAXIMUM ALLOWABLE SEISMIC LOADS BASED ON PRE-STRETCHED SEISMIC CABLE/STAKE EYE ASSEMBLY WITH UNDERWRITERS LABORATORIES LISTED CERTIFIED BREAK STRENGTH. CABLE IS COLOR CODED FOR EASY FIELD VERIFICATION. LRC RESTRAINT PACKAGE MANUFACTURED FOR THE VMC GROUP BY LOOS & CO. INC.
- (3) MAXIMUM ALLOWABLE LOAD VARIES DEPENDING ON TYPE OF STRUCTURAL ATTACHMENT. REFER TO DRAWINGS LRC STRUCTURAL ATTACHMENT ILLUSTRATION. FOR DETAILS CORRESPONDING TO PARTICULAR STRUCTURAL ATTACHMENT LEVELS. ALLOWABLE LOADS ARE BASED ON THE LOWER OF THE RESTRAINT ASSEMBLY OR ATTACHMENT TO STRUCTURE.
- (4) CONNECT TO BRACED COMPONENT WITH MINIMUM SIZE SRB OR SAF BRACKET PER TABLE OR AS NEEDED TO FIT HANGER ROD (WHICHEVER IS LARGER). SEE SR-6030 FOR DETAILS OF SAF AND SRB BRACKET CONNECTORS TO BRACED COMPONENT. EITHER MAY BE USED, BUT SRB IS NOT UL LISTED. BRACKET NOT INCLUDED IN LRC PACKAGE. ORDER SEPARATELY.
- (5) RESTRAINT LENGTHS AVAILABLE IN 4', 7', AND 13' FINISHED LENGTHS. THERE ARE (2) CABLES PER LRC RESTRAINT PACKAGE WITH ENOUGH CABLE PROVIDED TO MAKE LOOPS AT BRACKETS. PLEASE CONTACT VMC GROUP FOR OTHER AVAILABLE CABLE LENGTHS.
- (6) ALL ALLOWABLES FOR PIPE & DUCT ARE BASED ON CABLE ORIENTATIONS SHOWN ON DRAWINGS SEISMIC CABLE RESTRAINT PIPE & DUCT ORIENTATION GUIDE. MAXIMUM SPACING FOR PIPE IS 40 FEET. MAXIMUM SPACING FOR DUCT IS 30 FEET. DECREASED SPACING ALLOWS PROPORTIONAL INCREASE IN PIPE OR DUCT WEIGHT.
- (7) PIPE SIZE IS FOR STANDARD SCHEDULE PIPE, WATER FILLED AND INSULATED, WITH LINEAR WEIGHT/FOOT LESS THAN OR EQUAL TO "MAX LBS/FT". ACTUAL PIPE OR CONDUIT OPERATING WEIGHT MUST BE COMPARED TO "MAX LBS/FT". ANY COMBINATION OF PIPE OR CONDUIT ON TRAPEZE MUST HAVE A TOTAL WEIGHT/FT LESS THAN "MAX LBS/FT".
- (8) DUCT SIZE IS FOR STANDARD GAGE WITH LINEAR WEIGHT/FT LESS THAN DUCT "MAX LBS/FT". IT INCLUDES A 20% ALLOWANCE FOR SEAMS, LININGS, ECT. WIDTH PLUS DEPTH IS TOTAL (I.E. 28" WIDE X 20" DEEP EQUALS 48"). ACTUAL DUCT WEIGHT MUST BE LESS OR EQUAL TO "MAX LB/FT".
- (9) MINIMUM ROD SIZE BASED ON MSS SP-69. CALCULATED LOADS MAY BE SIZED IN ACCORDANCE WITH MSS SP-58, TABLE 3. RODS MAY BE REDUCED ONE SIZE FOR DOUBLE ROD HANGERS/TRAPEZE (MIN. 3/8").
- (10) STAKE EYE NOT AVAILABLE FOR 2-BL8-00. CABLE WILL FACTORY SWAGE-ATTACHED TO STRUCTURAL END OF BRACKET.
- (11) RESTRAINT SELECTION AND LAYOUT MUST BE APPROVED BY THE VMC GROUP SEISMIC DESIGN PROFESSIONAL FOR EACH PROJECT. CAPABILITY OF STRUCTURAL ELEMENT TO WITHSTAND MAXIMUM SEISMIC LOAD MUST BE APPROVED BY THE STRUCTURAL DESIGN PROFESSIONAL FOR EACH PROJECT.
- (12) SEE ALTERNATE BRACKET OPTIONS SB-125-LRC, SB-250-LRC & SCR SERIES SUBMITTALS AVAILABLE FOR FOLLOWING CABLE KITS.
- 13 CONTACT VMC FOR AVAILABILITY.

OTHER MATERIALS, COMPOUNDS, OR FINISHES WITH EQUAL OR SUPERIOR PROPERTIES MAY BE SUBSTITUTED AS THEY BECOME AVAILABLE.

**CERTIFIED FOR:**

JOB NAME: \_\_\_\_\_  
 CUSTOMER: \_\_\_\_\_  
 CUSTOMER P.O.: \_\_\_\_\_  
 SALES ORDER: \_\_\_\_\_

**MODEL LRC 0.80G SEISMIC  
 CABLE RESTRAINT GUIDE  
 FOR SUSPENDED  
 EQUIPMENT**



**THE POWER OF TOGETHER™**  
 Bloomingdale, NJ 07403  
 Houston, TX 77041

SCALE:  
 NONE  
 SHEET:



DRAWING NO.: \_\_\_\_\_ REVISION